

Addressable Firefighter Phone w/Riser Module AV-TEL

When added to an Axis^{AX} Series Command Center, the AV-TEL provides Firefighter Telephone support. The AV-TEL is a self contained unit that includes a Firefighter Telephone along with Telephone Riser Circuitry in an easy to install enclosure. The AV-TEL mounts to the inner door of an Advanced Axis^{AX} Series Command Center.

The AV-TEL circuitry creates a fully supervised telephone “party line” that allows field mounted firefighter telephones to communicate with up to 5 other firefighter telephones on the “party line” as well as the command center telephone simultaneously. The “party line” can be configured as a Class A or B circuit.

Advanced has a variety of field mounted firefighter telephones to choose from. Customers may choose from either a firefighter’s telephone that is mounted in an enclosure or an AV-JACK. Any combination of up to 40 firefighters telephones and/or AV-JACKs are supported by the AV-TEL riser module.

All wiring from the AV-TEL to all field mounted addressable firefighter telephones and AV-JACKs is fully supervised for opens, shorts and ground faults.

The riser module of the AV-TEL requires a regulated 24 VDC supply rated at 600mA. This can be supplied from the AUX Output of the command center AX-CTL base card, depending on other overall loading of this supply. Maximum riser operational current with 5 telephones active plus the command center telephone is 300mA.

The riser module is equipped with a trouble relay contact which is energized by the 24 VDC supply. This trouble contact may be monitored by one of the inputs located on the back of the AX-DSP display card, however this is not essential because each addressable AV-JACK and firefighter telephone provides supervision of the riser voltage as well.



Unique Features:

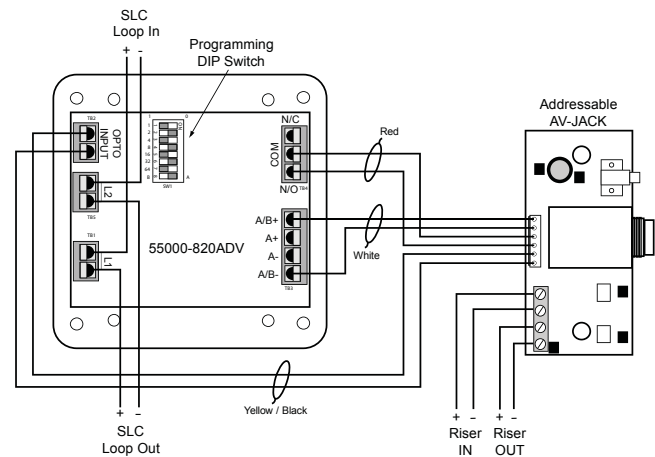
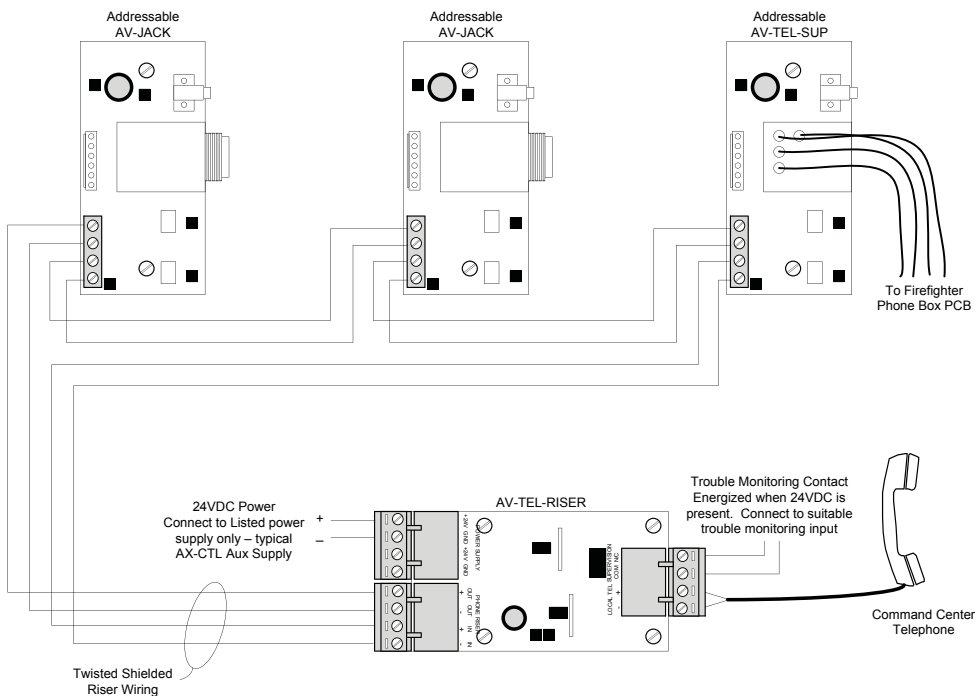
- Compatible with Axis^{AX} Series Command Centers
- Class A or B Telephone Riser
- Fully Supervised
- Individually Addressed Field Telephones

Ratings:

- 24VDC, 600mA Short Circuit Maximum
- All Circuits Power Limited
- Riser Circuitry Contains Resettable Fuses
- Terminals Support 12-22 AWG Wire
- Maximum Circuit Impedance 40Ω

Listings and Approvals:

- ETL ANSI/UL 864 Listed: 101564744NYM-001
- CSFM Approved: 7165-1713:0101
- NYC FD COA #6105



Ordering Information

AV-TEL	Firefighter Phone w/Telephone Riser Module and Enclosure. Mounts to inner door of Axis ^{AX} Series Command Centers.
AV-JACK	Addressable Firefighter Telephone Jack. Fully Supervised. Includes Phone Active LED that illuminates upon connection with Command Center Telephone. Comes with interface cabling for 55000-820ADV addressable I/O module connection.
AV-TEL-SUP	Addressable Firefighter Telephone supervision module for mounting within a firefighter's warden station. Comes with required mounting hardware and interface cabling for 55000-820ADV addressable I/O module connection.

As our policy is one of constant product improvement the right is therefore reserved to modify product specifications without prior notice.

 Advanced

 **AIRPLUS**
Industrial
www.airplusindustrial.ca 604-882-8886